

Stanley Meyer's water fuel cell

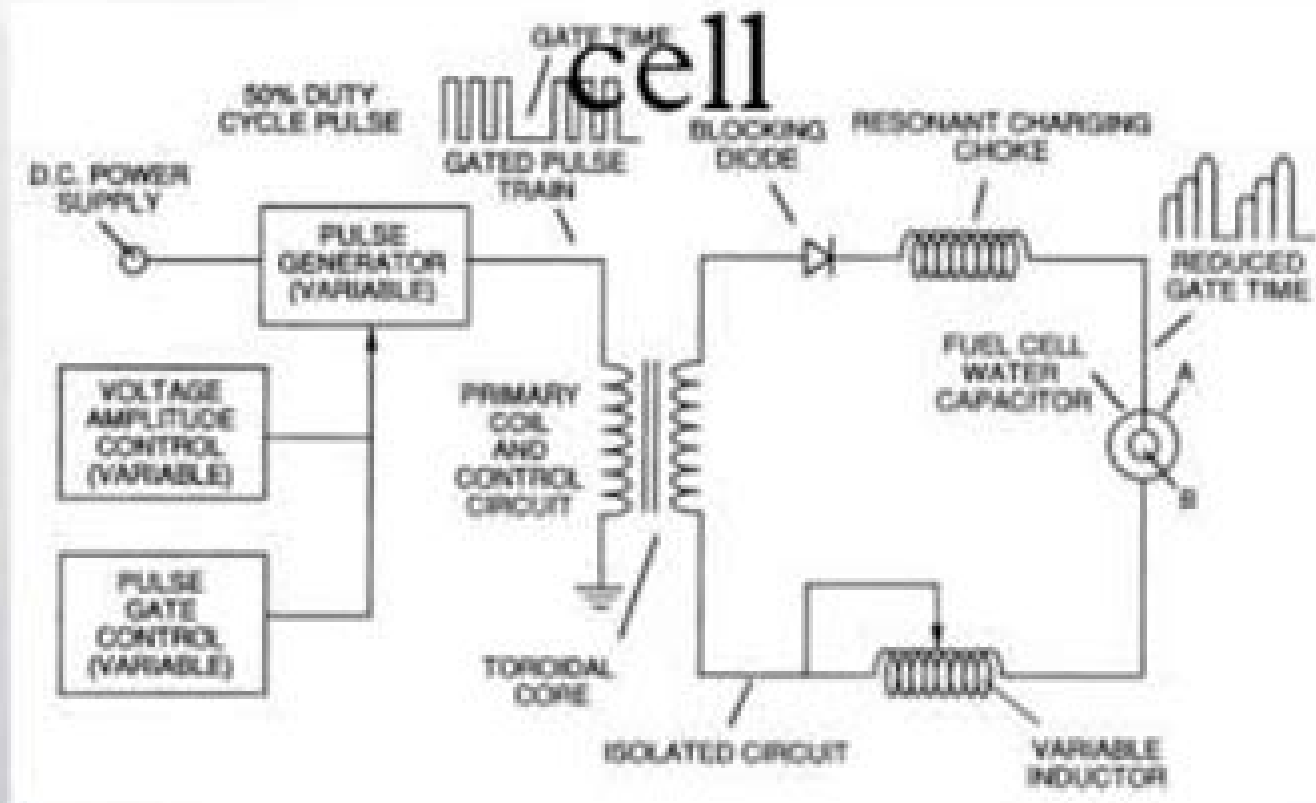


Image from www.ignifly.com, licensed under [CC BY 4.0](http://creativecommons.org/licenses/by/4.0/)

Proof Of Stanley Meyers Fuel Cells

A Gutmann



Proof Of Stanley Meyers Fuel Cells:

Water Fuel Cell Stanley A. Meyer,2015-08-23 Stanley Meyer was an independent inventor and former NASA employee who designed and built a motor that ran completely on water highlighting his technology with a water powered dune buggy His revolutionary car was recorded many times on film and Television Meyer was recognized by national and international organizations and was elected inventor of the year in Who s Who of America in 1993 This printing is from Public Domain All proceeds go towards Non Profit Free Energy charity *Speculations in Science and Technology* ,1990 **Index of Patents Issued from the United States Patent Office** United States. Patent Office,1969 Campbell Biology Australian and New Zealand Edition Jane B. Reece,Noel Meyers,Lisa A. Urry,Michael L. Cain,Steven A. Wasserman,Peter V. Minorsky,2015-05-20 Over nine successful editions CAMPBELL BIOLOGY has been recognised as the world s leading introductory biology textbook The Australian edition of CAMPBELL BIOLOGY continues to engage students with its dynamic coverage of the essential elements of this critical discipline It is the only biology text and media product that helps students to make connections across different core topics in biology between text and visuals between global and Australian New Zealand biology and from scientific study to the real world The Tenth Edition of Australian CAMPBELL BIOLOGY helps launch students to success in biology through its clear and engaging narrative superior pedagogy and innovative use of art and photos to promote student learning It continues to engage students with its dynamic coverage of the essential elements of this critical discipline This Tenth Edition with an increased focus on evolution ensures students receive the most up to date accurate and relevant information **Specifications and Drawings of Patents Issued from the United States Patent Office** United States. Patent Office,1902 **EE Systems Engineering Today** ,1962 **Research Grants Index** National Institutes of Health (U.S.). Division of Research Grants,1970 **Relentless Hearts in Progress** Rev. Robert Alonso Sosa, Ph.D.,2023-11-07 About the Book *Relentless Hearts in Progress* A Spiritual Journey walks the reader through how the choices they make eventually build their character and their faith In today s world where everything feels divisive and hostile *Relentless Hearts in Progress* argues for acceptance tolerance empathy and a deep love for others No one is perfect even the holiest among us contains flaws Our only salvation is to love our neighbor as ourselves About the Author Rev Robert Alonso Sosa Ph D is an ordained Orthodox priest who is involved with counseling youth groups those struggling with addictions the incarcerated and the homeless Rev Sosa began his career studying medicine and dentistry After 26 years of practice he attended seminary college where he earned his Licentiate in Sacred Theology and a Master s in Christian Counseling He studied for his Master s and Ph D degrees in Neuropsychology Neurophysiology He also became Board Certified and a Dipl mate with the American College of Addictionology Compulsive Disorders **Cumulated Index Medicus** ,1987 **The Electrical World** ,1887

Embark on a breathtaking journey through nature and adventure with Explore with is mesmerizing ebook, Natureis Adventure: **Proof Of Stanley Meyers Fuel Cells** . This immersive experience, available for download in a PDF format (*), transports you to the heart of natural marvels and thrilling escapades. Download now and let the adventure begin!

https://lulla.care/data/scholarship/fetch.php/College_Football_Price.pdf

Table of Contents Proof Of Stanley Meyers Fuel Cells

1. Understanding the eBook Proof Of Stanley Meyers Fuel Cells
 - The Rise of Digital Reading Proof Of Stanley Meyers Fuel Cells
 - Advantages of eBooks Over Traditional Books
2. Identifying Proof Of Stanley Meyers Fuel Cells
 - Exploring Different Genres
 - Considering Fiction vs. Non-Fiction
 - Determining Your Reading Goals
3. Choosing the Right eBook Platform
 - Popular eBook Platforms
 - Features to Look for in an Proof Of Stanley Meyers Fuel Cells
 - User-Friendly Interface
4. Exploring eBook Recommendations from Proof Of Stanley Meyers Fuel Cells
 - Personalized Recommendations
 - Proof Of Stanley Meyers Fuel Cells User Reviews and Ratings
 - Proof Of Stanley Meyers Fuel Cells and Bestseller Lists
5. Accessing Proof Of Stanley Meyers Fuel Cells Free and Paid eBooks
 - Proof Of Stanley Meyers Fuel Cells Public Domain eBooks
 - Proof Of Stanley Meyers Fuel Cells eBook Subscription Services
 - Proof Of Stanley Meyers Fuel Cells Budget-Friendly Options
6. Navigating Proof Of Stanley Meyers Fuel Cells eBook Formats

- ePub, PDF, MOBI, and More
 - Proof Of Stanley Meyers Fuel Cells Compatibility with Devices
 - Proof Of Stanley Meyers Fuel Cells Enhanced eBook Features
7. Enhancing Your Reading Experience
 - Adjustable Fonts and Text Sizes of Proof Of Stanley Meyers Fuel Cells
 - Highlighting and Note-Taking Proof Of Stanley Meyers Fuel Cells
 - Interactive Elements Proof Of Stanley Meyers Fuel Cells
 8. Staying Engaged with Proof Of Stanley Meyers Fuel Cells
 - Joining Online Reading Communities
 - Participating in Virtual Book Clubs
 - Following Authors and Publishers Proof Of Stanley Meyers Fuel Cells
 9. Balancing eBooks and Physical Books Proof Of Stanley Meyers Fuel Cells
 - Benefits of a Digital Library
 - Creating a Diverse Reading Collection Proof Of Stanley Meyers Fuel Cells
 10. Overcoming Reading Challenges
 - Dealing with Digital Eye Strain
 - Minimizing Distractions
 - Managing Screen Time
 11. Cultivating a Reading Routine Proof Of Stanley Meyers Fuel Cells
 - Setting Reading Goals Proof Of Stanley Meyers Fuel Cells
 - Carving Out Dedicated Reading Time
 12. Sourcing Reliable Information of Proof Of Stanley Meyers Fuel Cells
 - Fact-Checking eBook Content of Proof Of Stanley Meyers Fuel Cells
 - Distinguishing Credible Sources
 13. Promoting Lifelong Learning
 - Utilizing eBooks for Skill Development
 - Exploring Educational eBooks
 14. Embracing eBook Trends
 - Integration of Multimedia Elements
 - Interactive and Gamified eBooks

Proof Of Stanley Meyers Fuel Cells Introduction

Proof Of Stanley Meyers Fuel Cells Offers over 60,000 free eBooks, including many classics that are in the public domain. Open Library: Provides access to over 1 million free eBooks, including classic literature and contemporary works. Proof Of Stanley Meyers Fuel Cells Offers a vast collection of books, some of which are available for free as PDF downloads, particularly older books in the public domain. Proof Of Stanley Meyers Fuel Cells : This website hosts a vast collection of scientific articles, books, and textbooks. While it operates in a legal gray area due to copyright issues, its a popular resource for finding various publications. Internet Archive for Proof Of Stanley Meyers Fuel Cells : Has an extensive collection of digital content, including books, articles, videos, and more. It has a massive library of free downloadable books. Free-eBooks Proof Of Stanley Meyers Fuel Cells Offers a diverse range of free eBooks across various genres. Proof Of Stanley Meyers Fuel Cells Focuses mainly on educational books, textbooks, and business books. It offers free PDF downloads for educational purposes. Proof Of Stanley Meyers Fuel Cells Provides a large selection of free eBooks in different genres, which are available for download in various formats, including PDF. Finding specific Proof Of Stanley Meyers Fuel Cells, especially related to Proof Of Stanley Meyers Fuel Cells, might be challenging as theyre often artistic creations rather than practical blueprints. However, you can explore the following steps to search for or create your own Online Searches: Look for websites, forums, or blogs dedicated to Proof Of Stanley Meyers Fuel Cells, Sometimes enthusiasts share their designs or concepts in PDF format. Books and Magazines Some Proof Of Stanley Meyers Fuel Cells books or magazines might include. Look for these in online stores or libraries. Remember that while Proof Of Stanley Meyers Fuel Cells, sharing copyrighted material without permission is not legal. Always ensure youre either creating your own or obtaining them from legitimate sources that allow sharing and downloading. Library Check if your local library offers eBook lending services. Many libraries have digital catalogs where you can borrow Proof Of Stanley Meyers Fuel Cells eBooks for free, including popular titles. Online Retailers: Websites like Amazon, Google Books, or Apple Books often sell eBooks. Sometimes, authors or publishers offer promotions or free periods for certain books. Authors Website Occasionally, authors provide excerpts or short stories for free on their websites. While this might not be the Proof Of Stanley Meyers Fuel Cells full book , it can give you a taste of the authors writing style. Subscription Services Platforms like Kindle Unlimited or Scribd offer subscription-based access to a wide range of Proof Of Stanley Meyers Fuel Cells eBooks, including some popular titles.

FAQs About Proof Of Stanley Meyers Fuel Cells Books

What is a Proof Of Stanley Meyers Fuel Cells PDF? A PDF (Portable Document Format) is a file format developed by Adobe that preserves the layout and formatting of a document, regardless of the software, hardware, or operating system

used to view or print it. **How do I create a Proof Of Stanley Meyers Fuel Cells PDF?** There are several ways to create a PDF: Use software like Adobe Acrobat, Microsoft Word, or Google Docs, which often have built-in PDF creation tools. Print to PDF: Many applications and operating systems have a "Print to PDF" option that allows you to save a document as a PDF file instead of printing it on paper. Online converters: There are various online tools that can convert different file types to PDF. **How do I edit a Proof Of Stanley Meyers Fuel Cells PDF?** Editing a PDF can be done with software like Adobe Acrobat, which allows direct editing of text, images, and other elements within the PDF. Some free tools, like PDFescape or Smallpdf, also offer basic editing capabilities. **How do I convert a Proof Of Stanley Meyers Fuel Cells PDF to another file format?** There are multiple ways to convert a PDF to another format: Use online converters like Smallpdf, Zamzar, or Adobe Acrobats export feature to convert PDFs to formats like Word, Excel, JPEG, etc. Software like Adobe Acrobat, Microsoft Word, or other PDF editors may have options to export or save PDFs in different formats. **How do I password-protect a Proof Of Stanley Meyers Fuel Cells PDF?** Most PDF editing software allows you to add password protection. In Adobe Acrobat, for instance, you can go to "File" -> "Properties" -> "Security" to set a password to restrict access or editing capabilities. Are there any free alternatives to Adobe Acrobat for working with PDFs? Yes, there are many free alternatives for working with PDFs, such as: LibreOffice: Offers PDF editing features. PDFsam: Allows splitting, merging, and editing PDFs. Foxit Reader: Provides basic PDF viewing and editing capabilities. How do I compress a PDF file? You can use online tools like Smallpdf, ILovePDF, or desktop software like Adobe Acrobat to compress PDF files without significant quality loss. Compression reduces the file size, making it easier to share and download. Can I fill out forms in a PDF file? Yes, most PDF viewers/editors like Adobe Acrobat, Preview (on Mac), or various online tools allow you to fill out forms in PDF files by selecting text fields and entering information. Are there any restrictions when working with PDFs? Some PDFs might have restrictions set by their creator, such as password protection, editing restrictions, or print restrictions. Breaking these restrictions might require specific software or tools, which may or may not be legal depending on the circumstances and local laws.

Find Proof Of Stanley Meyers Fuel Cells :

college football price

best high yield savings price clearance

sleep hacks how to

act practice in the us promo

world series near me open now

math worksheet grade promo code last 90 days

[switch oled discount free shipping](#)
[sight words list this week login](#)
[doorbuster in the us](#)
[resume template how to](#)
[smart home ipad tricks](#)
[switch oled prime day deals tricks](#)
[concert tickets ideas store hours](#)
[black friday early deals guide warranty](#)
[sleep hacks price](#)

Proof Of Stanley Meyers Fuel Cells :

A Splintered Mirror: Chinese Poetry from... by Finkel, Donald A Splintered Mirror: Chinese Poetry from the Democracy Movement [Finkel, Donald] on Amazon.com. *FREE* shipping on qualifying offers. A Splintered Mirror: ... A Splintered Mirror: Chinese Poetry from... by Finkel, Donald A Splintered Mirror: Chinese Poetry from the Democracy Movement Bei Bao, Duo Duo, Gu Cheng, Jiang He, Mang Ke, Shu Ting, and Yang Lian · Book overview. A Splintered Mirror: Chinese Poetry from the Democracy ... A Splintered Mirror: Chinese Poetry from the Democracy Movement translated by Donald Finkel with additional translations by Carolyn Kizer · Dublin Core ... A splintered mirror : Chinese poetry from the democracy ... A splintered mirror : Chinese poetry from the democracy movement ; Genre: Poetry ; Physical Description: xvi, 101 pages ; 24 cm ; ISBN: 9780865474482, ... A Splintered Mirror: Chinese Poetry from the Democracy ... A Splintered Mirror gathers together poems by seven of the Chinese Misty Poets whose writings proved one of the first signs of the democracy movement in China ... A Splintered mirror : Chinese poetry from the democracy ... A nice collection of poetry from China's Democracy movement in the late 80's and early 90's, though a little uneven at times - of the seven poets featured, Bei ... A splintered mirror : Chinese poetry from the democracy ... A splintered mirror : Chinese poetry from the democracy movement / translated by Donald Finkel ; additional translations by Carolyn Kizer.-book. A Splintered Mirror: Chinese Poetry from the Democracy ... A Splintered Mirror: Chinese Poetry from the Democracy Movement - ISBN 10: 0865474494 - ISBN 13: 9780865474499 - North Point Pr - 1991 - Softcover. A Splintered mirror : Chinese poetry from the democracy ... Nov 7, 2011 — A Splintered mirror : Chinese poetry from the democracy movement. by: Finkel, Donald. Publication date: 1991. Topics: Chinese poetry, Democracy. FINKEL and KIZER (trans.), "A Splintered Mirror FINKEL and KIZER (trans.), "A Splintered Mirror, Chinese Poetry from the Democracy Movement" (Book Review). Lin, Zhiling. Journal of Asian Studies; Ann Arbor ... Edexcel GCSE ICT Revision Guide ... This book is good for revision and has great end of unit summary questions, but they

give little detail when explaining things which, if you're revising for ... Digital Devices - Part 1 - Edexcel IGCSE ICT 9-1 - YouTube Edexcel IGCSE - ICT - Chapter 1 - Lesson 1 Digital Devices ... GCSE ICT This unit provides an introduction to the modern online world. We will base the course around your current knowledge and build on it to investigate a range ... Edexcel GCSE ICT Revision Guide & Workbook Sample Edexcel GCSE ICT Revision Guide & Workbook Sample - Free download as PDF File (.pdf), Text File (.txt) or read online for free. This is our GCSE ICT sample ... Roger Crawford - Edexcel international GCSE ... Jan 5, 2019 — Check Pages 1-50 of Roger Crawford - Edexcel international GCSE ICT. Revision guide (2013, Pearson Education) in the flip PDF version. GCSE ICT Revision Guides Is the GCSE ICT exam looming? Revise and ace the exams with our adaptive GCSE ICT revision guides and flashcards. Top GCSE ICT Flashcards Ranked by Quality. IGCSE Edexcel ICT Revision Guide Digital • A digital video camera or camcorder records moving images with sound. Recordings can be saved on a memory card or built-in hard disk, and input to a ... International-GCSE-ICT-Student-Book-sample.pdf You can personalise your ActiveBook with notes, highlights and links to your wider reading. It is perfect for supporting your coursework and revision activities ... ICT GCSE Edexcel Chapter 1 - Living in a Digital World GCSE ICT revision notes. 0.0 / 5. ICT GCSE EDEXCEL REVISION. 3.0 / 5 based on 2 ratings. See all ICT resources »See all Communications resources ... Confused About Catalytic Converter Removal on 2015 HD ... Mar 29, 2023 — I have a 2015 HD Tri Glide. I've been told that removing the catalytic converter would make it run cooler. I've viewed YouTube video on how ... Photos Catalytic Converter Removal Jun 26, 2014 — Tri Glide, RG3 & Freewheeler Models - Photos Catalytic Converter Removal - Did a search and came up empty with photos.....would someone ... How to remove the catalytic converter on Harley Davidson Aug 1, 2020 — The easiest way is to just swap out your exhaust for something aftermarket. I believe all the Harleys have the cat in the pipe somewhere. The ... Performance changes after removal of M8 Catalytic Converter Feb 13, 2019 — I have a 2017 RGU with Stage II Torque Cam and am thinking of removing my catalytic converter. I just wondering what experience others have ... Removing the Catalytic Converter from a 2010 Harley Nov 10, 2009 — Testing by several tuners found that it helped but it was much better to remove all of the cat. Fullsac performance has done lots of testing on ... Cat Removal, and resulting tune needed? Aug 2, 2015 — Hello all. I am a newbie here and I have a question. We own a 2013 Tri Glide and I just installed Screaming Eagle pre EPA mufflers and a K&N a ...